



®

MIRAB CO.

Manufacturer of Industrial Valves
and Relevant Equipment

Large - Orifice Air Valves



www.mirab-valves.com

Large - Orifice Air Valves

Size: DN 200 - 1000 mm

Pressure: PN 6 - 40 bar

Flange Connection: DIN EN 1092-1 (DIN 2501)

Product features:

Large orifice Air Valve is recommended as part of safety system for large diameter and long length pipes in high volume of air requirement situation. Under normal condition (positive pipeline pressure) this Air Valve is fully closed, it serves as vacuum breaker when the internal pressure in the pipe drops to negative value. For example in case of pipe burst situation with very rapid medium drainage, a huge volume of air gets inserted to the pipe through the large orifice of the Air Valve to prevent damages or crumple of the pipes. After pressure increases in the pipe line, the air valve will be closed again. A pneumatic damper is located in the valve for adjusting valve closing speed to avoid damages to the pipe or valve due to rapid closing.

Applications:

This valve is applied for inlet of large amount of air into pipelines in water supply networks. One of the important applications is using this air valve after emergency shutdown valves.

Corrosion protection:

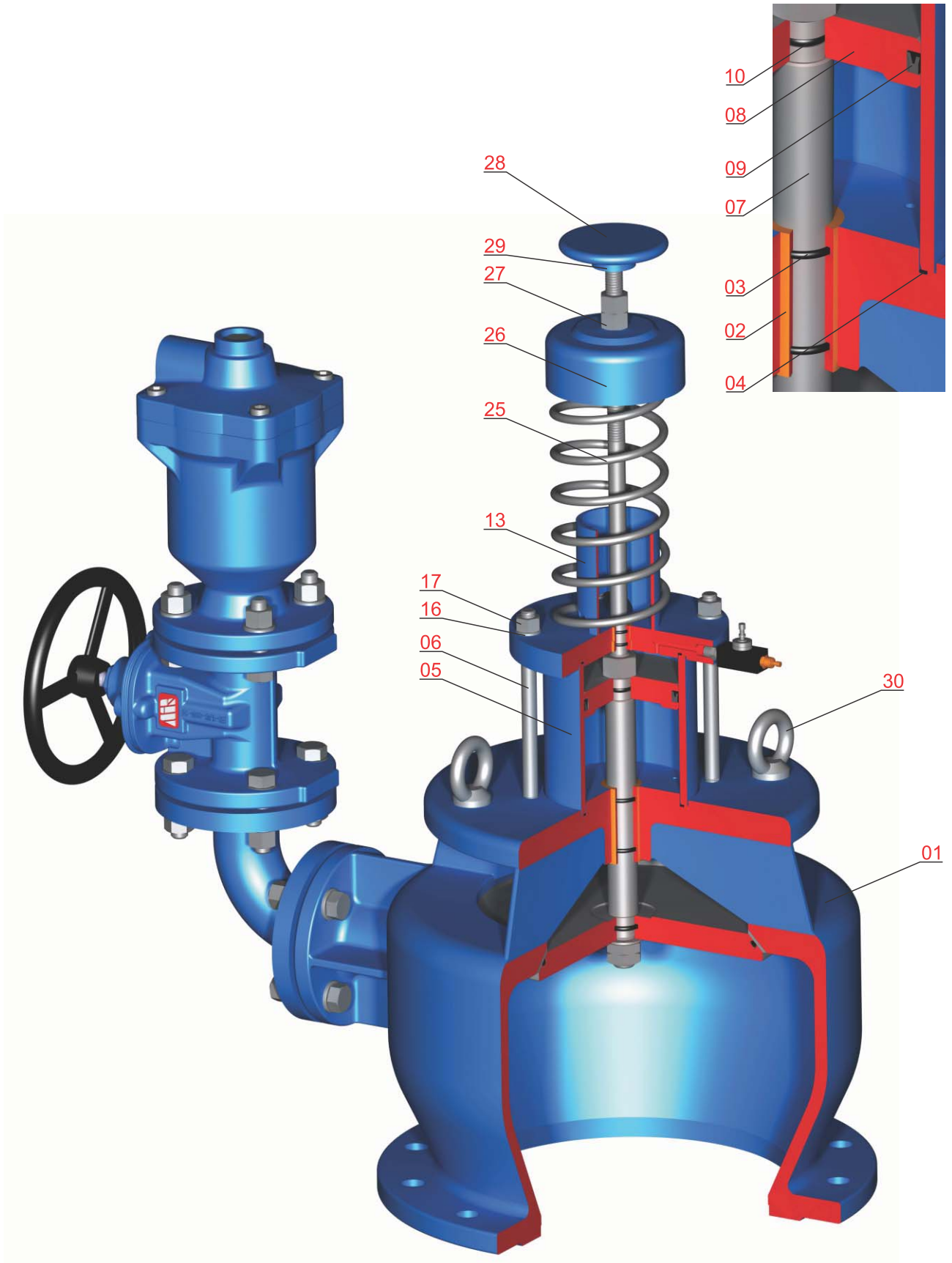
All casted and iron parts are aentirely covered by electrostatic epoxy-powder with minimum 250 µ thickness

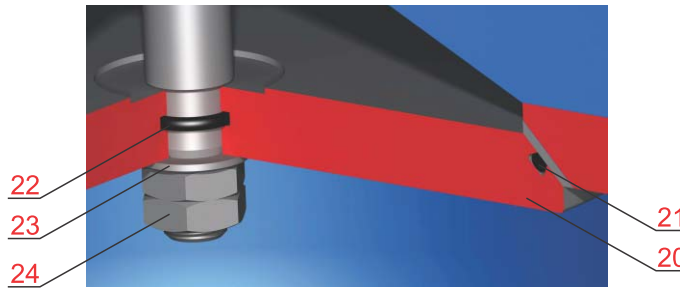
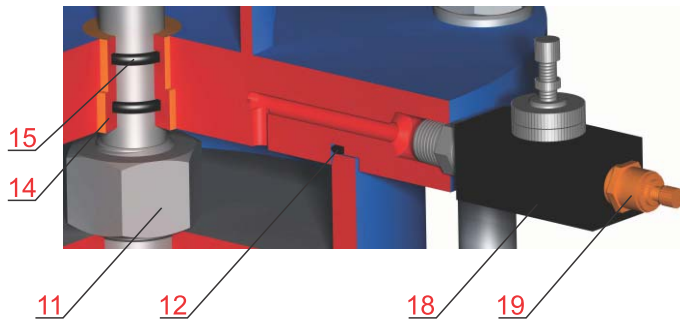
Hydrostatic test Pressure (bar) according to DIN EN 12266-1		
Nominal Pressure PN (bar)	Test Pressure	
	Shell Test	Closure Test
6	12	7
10	17	11
16	25	18
25	38	28
40	60	44





Part List





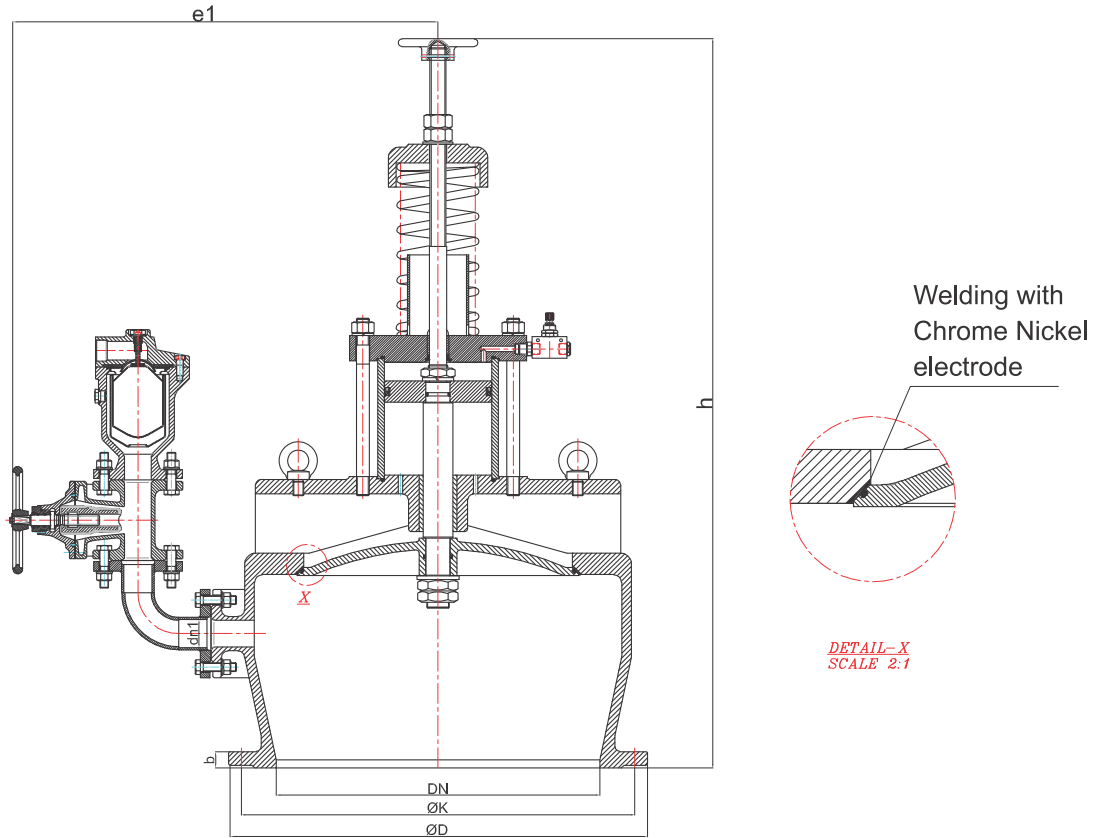
Part No.	Part Name	Part Material	1	2
01	Body	*EN 1563/EN-GJS-400-15		
02	Inner Bush	ASTM B148 UNS 95200		
03	O-ring	NBR (EPDM on Request)	•	•
04	O-ring	NBR (EPDM on Request)	•	•
05	Cylinder	St 52-2		
06	Stud Bolts	DIN EN 10088-3/1.4021		
07	Shaft	DIN EN 10088-3/1.4021		
08	Piston	DIN EN 10088-3/1.4021		
09	Packing	NBR-72 Shore A	•	•
10	O-ring	NBR (EPDM on Request)	•	•
11	Hexagonal nut	ISO 3506-2 Gr.A2 Property Class 70	•	
12	O-ring	NBR (EPDM on Request)	•	•
13	Spring guide	St 37-2		
14	Jack upper plate bush	ASTM B148 UNS 95200		
15	O-ring	NBR (EPDM on Request)	•	•
16	Washer	ISO 898-2 Property Class 8,Zinc Plated	•	
17	Hexagonal nut	ISO 898-2 Property Class 8,Zinc Plated	•	
18	Flow Control	—		
19	Exhaust	Brass		
20	Disk	DIN EN 10088-3/1.4301		
21	O-ring	NBR (EPDM on Request)	•	•
22	O-ring	NBR (EPDM on Request)	•	•
23	Washer	ISO 3506-2 Gr.A2 Property Class 70	•	
24	Hexagonal nut	ISO 3506-2 Gr.A2 Property Class 70	•	
25	Spring	DIN EN 10088-3/1.4310	•	
26	Spring cap	EN 1563/EN-GJS-400-15		
27	Hexagonal nut	ISO 898-1 Property Class 8,Zinc Plated	•	•
28	Hand wheel	EN 1563/EN-GJS-400-15		
29	Counter socket screw	ISO 898-1 Property Class 8.8,Zinc Plated	•	
30	Eye bolt	ISO 898-1 Property Class 8.8,Zinc Plated		

1-Recommended Spare Parts

2-Parts Subjected to Wear

*EN-GJS-500-7 available on request.

Dimensions



DN mm	ØD mm	b mm	ØK mm	Ød2 mm	n	h mm	e1 mm	dn1 mm
200	340	24	295	22	8	652	530	50
250	395	26	350	22	12	888	560	50
300	445	26	400	22	12	907	585	50
350	505	26	460	22	16	907	620	50
400	565	26	515	26	16	1012	680	50
450	615	28	565	26	20	1012	550	50
500	670	28	620	26	20	1280	650	50
600	780	28	725	30	20	1357	746	50
700	895	30	840	30	24	1450	880	80
800	1015	32	950	33	24	1617	1012	80
900	1115	34	1050	33	28	1800	1315	150
1000	1230	34	1160	36	28	1950	1700	150

The above dimensions are related to PN10, for other sizes and pressures please contact us.

MIRAB Co' PRODUCTS

Butterfly Valves Family: Double Flanged Type, Butt-weld End, Wafer Type, Lug Type, Hydraulic Actuated, Pneumatic Actuated.

Gate Valves Family: Soft-Sealing Gate Valve, Metal Seat Gate Valve, Knife Gate Valve, Sluice Gate Valve.

Non Return Valves Family: Tilting Disc with Counter Weight, Tilting Disk with Counter Weight and Hydraulic Damper, Swing Check Valve, Silent Check Valve, Foot Valve, Nozzle Check Valve, Wafer Pattern Check Valve, Flap Valve.

Air Vent Family: Single Chamber - Double Orifices , Double Chambers - Double Orifices, Sewage Air Valves, Large - Orifice Air Valve.

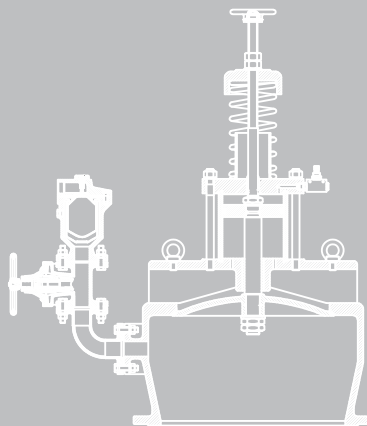
Control Valves Family: Automatic Control Valves, Needle Valve, Globe Valve, Fixed Cone Free Discharge Valve, Hollow Jet Valve, Sleeve Valve.

Hydrant Valves Family: Standing Type, Pit Type, Wet Barrel Fire Fighting Valve, Post Indicator Valve.

Strainers Family: Y Type, T Type, One Side Flanged Type.

Fittings Family: Dismantling Joint F1&F2, Pipe Coupling, Flange.

Actuators: Electrical, Hydraulic, Pneumatic, Portable Electrical.



Head office: #9, 14th Alley,
N. Gol Afshan St., Dadman Blvd.,
Shahrak-e-Qods,
Tehran, 14697-85171, Iran
Tel: +98 (0)21 88372220
Fax: +98 (0)21 88577508

Plant #1: 28th St.,
Km 10 of Karaj Special Rd.,
Tehran, 13897-15851,
Iran
Tel: +98 (0)21 44545650
Fax: +98 (0)21 44545658

Plant #2: Sarvestan Blvd.,
Shams-Abad Industrial zone,
Km 40 of Tehran-Qom Highway,
Tehran, 18341-86581,
Iran
Tel: +98 (0)21 44545656

P.O.Box: 18335-365

info@mirab-valves.com