

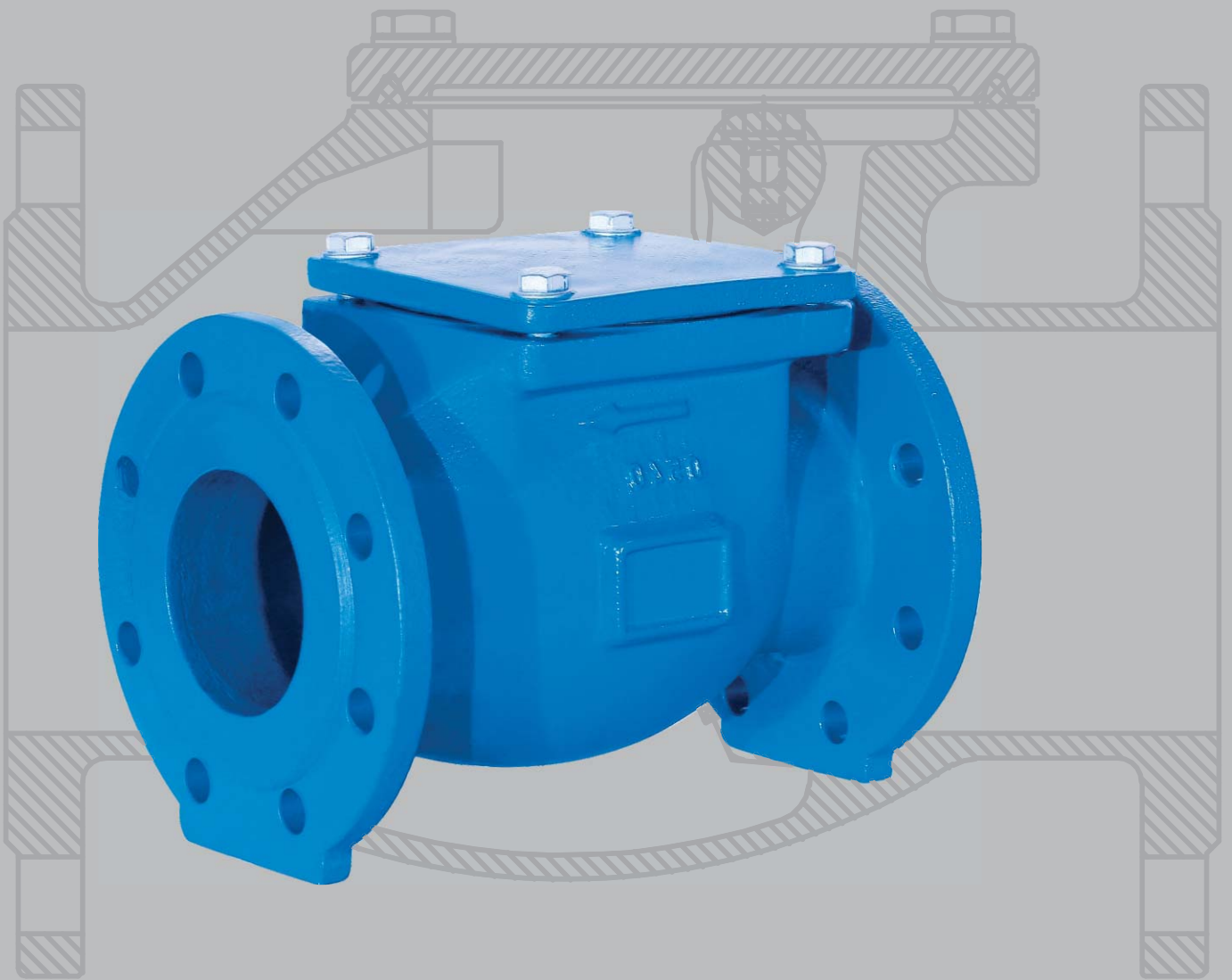


®

**MIRAB CO.**

Manufacturer of Industrial Valves  
and Relevant Equipment

## Swing Check Valves



## Swing Check Valves

**Size:** DN 50 - 200 mm

**Pressure:** PN 10 & PN 16 bars

**Flanges according to** DIN EN 1092-2 (DIN 2501)

**Face to face according to** DIN EN 558-1 series 48 (DIN 3202-F6)

**Product Features:**

- Body and bonnet are bolted.
- Noiseless & with low pressure loss.
- Seal by elastomer rubber (NBR, EPDM).
- In low pressure it is tightened & zero leakage.
- Installation can be either in Horizontal & vertical seal by elastomer rubber (NBR, EPDM).

**Corrosion protection:**

All the parts of swing check valve are coated with epoxy powder, electro statics and min. of thickness 250 µm.

**Application:**

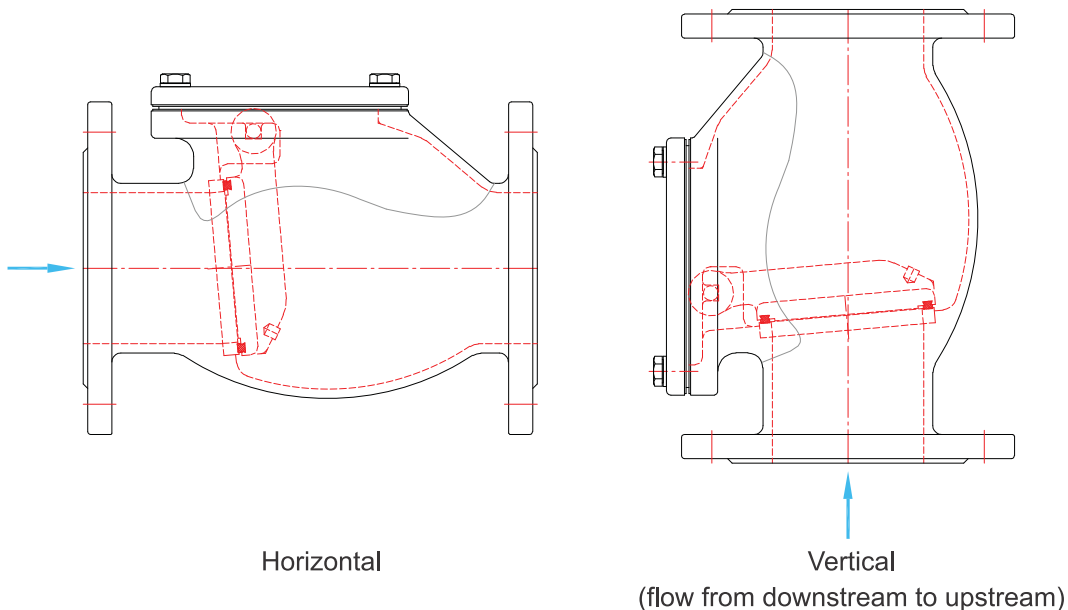
Swing check valve are suitable for any fluids, apart from those that are corrosive, such as water, waste water, steam, gas.

**Advantages:**

Because the disc moves away around it's centerline, inner way of body is suitable for passing some floating parts in fluid, such as swage water.

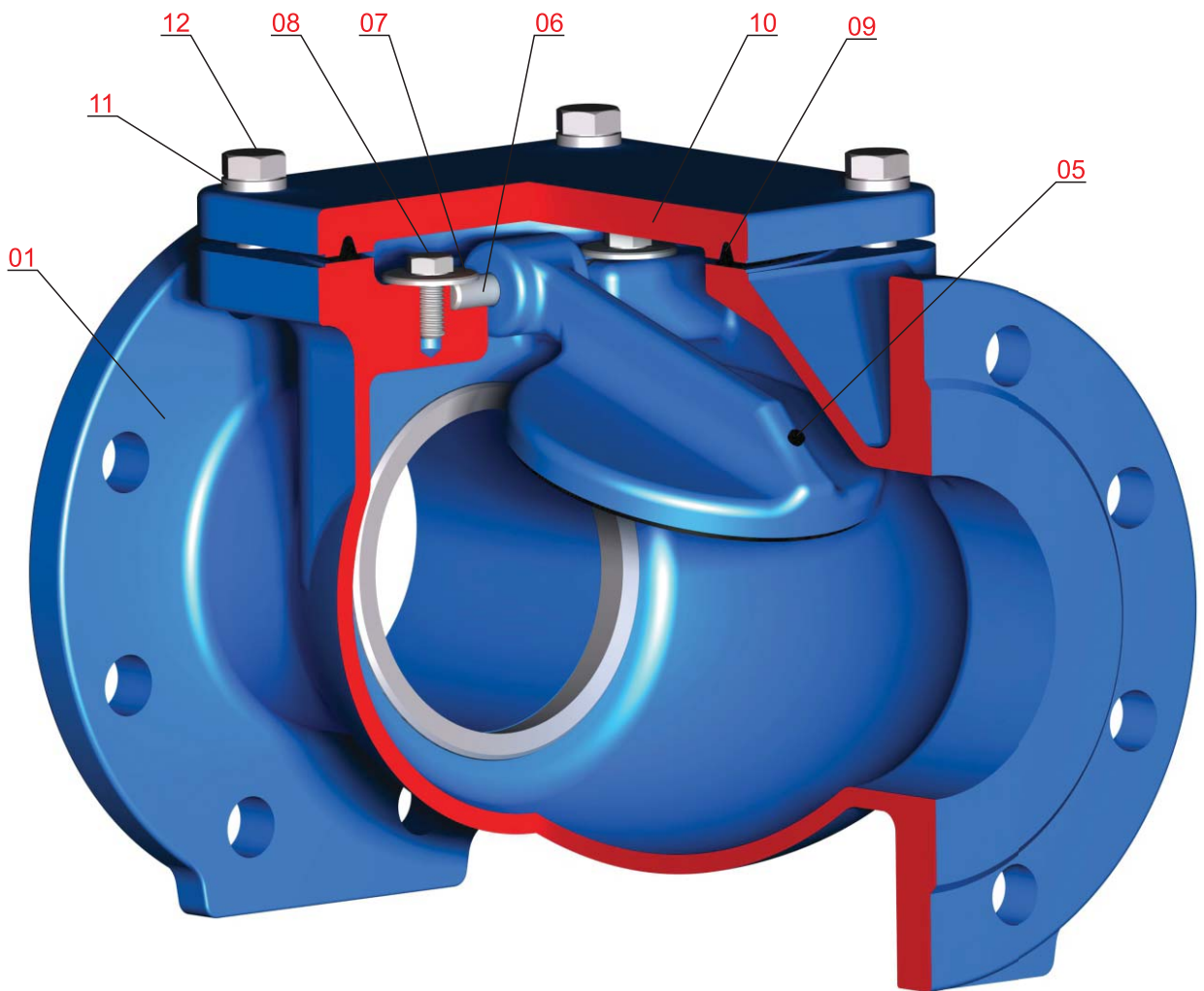
Hydrostatic test Pressure (bar) according to DIN EN 12266-1		
Nominal Pressure PN (bar)	Test Pressure, with water, (bar)	
	Shell Test	Closure Test
10	17	11
16	25	18

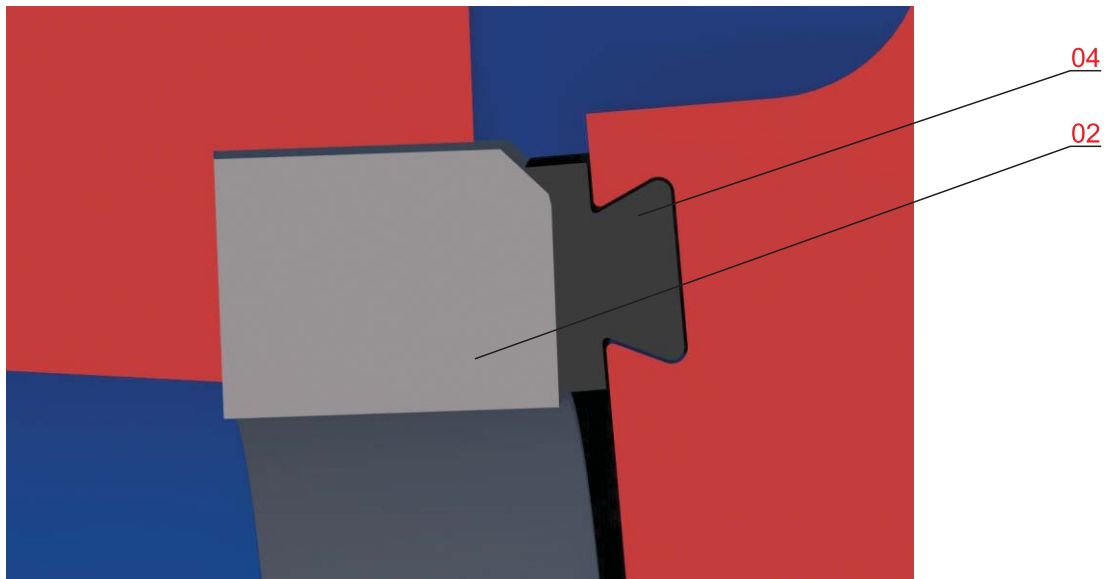
**Different installation situation:**





Part List





Part No.	Part Name	Part Material	1	2
01	Body	* EN 1563/ EN-GJS-400-15		
02	Body Seating Surface	DIN EN 10088-3/ 1.4301		
03	Disc	* EN 1563/ EN-GJS-400-15		
04	Disc Sealing Profile	EPDM (NBR on Request)	•	•
05	Anti shock Rubber	EPDM / NBR	•	•
06	Disc pin	DIN EN 10088-3/ 1.4021	•	
07	Washer	DIN ISO 898-2 Property Class 8, Zinc Plated	•	
08	Hexagonal Bolt	DIN ISO 898-1 Property Class 8.8, Zinc Plated	•	
09	Cover Sealing Profile	EPDM (NBR on Request)	•	•
10	Cover	* EN 1563/ EN-GJS-400-15		
11	Washer	DIN ISO 898-2 Property Class 8, Zinc Plated	•	
12	Hexagonal Bolt	DIN ISO 898-1 Property Class 8.8, Zinc Plated	•	

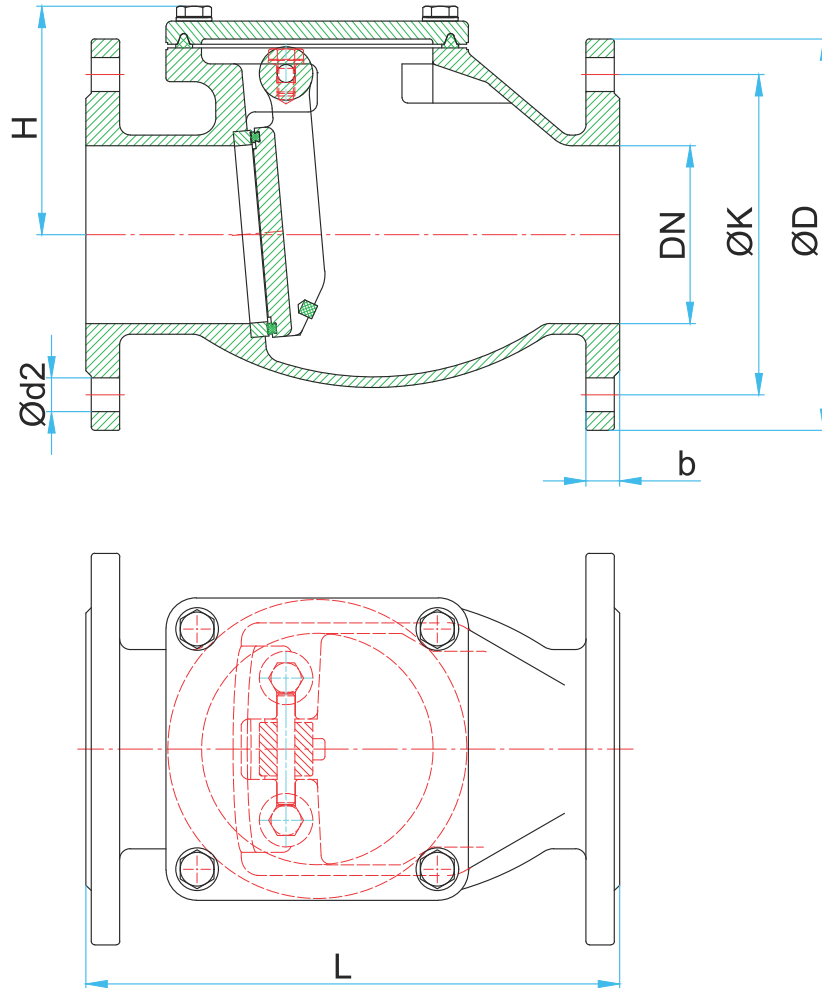
1- Recommended Spare Parts

2- Parts Subjected to Wear

\*EN-GJS-500-7 available on request.

NBR for temperature up to 70°C, EPDM for temperature up to 120°C Other Cases as per request.

## Dimensions and weight



- DIN EN 1092-2 (DIN 2501)
- DIN EN 558-1 series 48 (DIN 3202 F6)

DN mm	PN bar	•L mm	•ØD mm	•ØK mm	•b mm	•Ød2 mm	•n	H mm	Weight kg
50	10,16	200	165	125	19	19	4	77	8.5
65	10,16	240	185	145	19	19	4	90	11
80	10,16	260	200	160	19	19	8	109	15
100	10,16	300	220	180	19	19	8	130	20.5
125	10,16	350	250	210	19	19	8	139	27
150	10,16	400	285	240	19	23	8	163	39
200	10	500	340	295	20	23	8	200	86
	16						12		

## MIRAB Co' PRODUCTS

**Butterfly Valves Family:** Double Flanged Type, Butt-weld End, Wafer Type, Lug Type, Hydraulic Actuated, Pneumatic Actuated.

**Gate Valves Family:** Soft-Sealing Gate Valve, Metal Seat Gate Valve, Knife Gate Valve, Sluice Gate Valve.

**Non Return Valves Family:** Tilting Disc with Counter Weight, Tilting Disk with Counter Weight and Hydraulic Damper, Swing Check Valve, Silent Check Valve, Foot Valve, Nozzle Check Valve, Wafer Pattern Check Valve, Flap Valve.

**Air Vent Family:** Single Chamber - Double Orifices , Double Chambers - Double Orifices, Sewage Air Valves, Large - Orifice Air Valve.

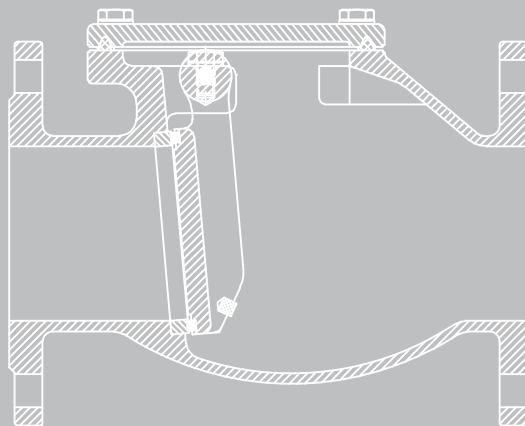
**Control Valves Family:** Automatic Control Valves, Needle Valve, Globe Valve, Fixed Cone Free Discharge Valve, Hollow Jet Valve, Sleeve Valve.

**Hydrant Valves Family:** Standing Type, Pit Type, Wet Barrel Fire Fighting Valve, Post Indicator Valve.

**Strainers Family:** Y Type, T Type, One Side Flanged Type.

**Fittings Family:** Dismantling Joint F1&F2, Pipe Coupling, Flange.

**Actuators:** Electrical, Hydraulic, Pneumatic, Portable Electrical.



Head office: #9, 14<sup>th</sup> Alley,  
N. Gol Afshan St., Dadman Blvd.,  
Shahrak-e-Qods,  
Tehran, 14697-85171, Iran  
Tel: +98 (0)21 88372220  
Fax: +98 (0)21 88577508

Plant #1: 28<sup>th</sup> St.,  
Km 10 of Karaj Special Rd.,  
Tehran, 13897-15851,  
Iran  
Tel: +98 (0)21 44545650  
Fax: +98 (0)21 44545658

Plant #2: Sarvestan Blvd.,  
Shams-Abad Industrial zone,  
Km 40 of Tehran-Qom Highway,  
Tehran, 18341-86581,  
Iran  
Tel: +98 (0)21 44545656

P.O.Box: 18335-365

[info@mirab-valves.com](mailto:info@mirab-valves.com)