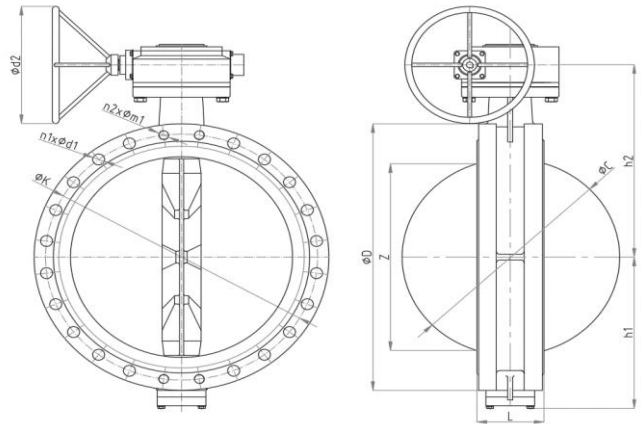




Valve Type	Flanged Wafer Type Butterfly Valve (Short Body)	Hydrostatic Test	Acc. to DIN EN 12266-1/ API Std. 598/ ISO 5208 Body Test: N/A, Seat test @ 1.1 * PN
Valve Features	Concentric type Bi-Directional Sealing Tight Shut-Off Closure K & KV Parameters Acc. to Mirab catalogue Short Body	Coating System	Electrostatic Epoxy Powder, RAL 5005 Min DFT 150 micron (Food Grade)
Application	On-Off (Isolating)	Actuator	Gearbox, Worm type Part-Turn, Open-Close Duty With 0-90° Indicator Ductile Iron, Epoxy Coated With Open/ Close End Stop Adjustable Swing Range up to 90° Flange Acc. to EN ISO 5211 Closed Clockwise Rotation
Fluid	Raw water, Drinking water, Non-Corrosive Liquid and Gas		
End Connection type	Flanged type		
Connection Standard	DIN EN 1092 (DIN 2501) PN10		
Valve Size Range	DN 500 ~ DN 1000 (NPS 20 ~ NPS 40)		
Body Rating	PN10		
Temperature Rating	Up to 70 °C		
Design Std.	DIN EN 593 & API Std. 609 Cat. A		
Face to Face Std.	DIN EN 558-1 Series 20 & API Std. 609 Cat. A		
Body	Ductile Iron DIN EN 1563 GJS-400-15 (GGG40)		
Disc	Ductile Iron DIN EN 1563 GJS-400-15 (GGG40)		
Body seat (Liner)	EPDM Rubber		
Shaft	Stainless Steel ASTM A276 Type 420 (1.4021)		
Shaft Sealing	O-Ring (NBR)		
Bushing	Steel-PTFE/ C95200		
End Cap	Ductile Iron		



Dimension:



DN	PN	L mm	ØC mm	Z mm	ØD mm	ØK mm	Ød1 mm	n1 mm	n2 mm	m1 mm	A mm	h1 mm	h2 mm	Ød2 mm	Weight Kg
500	10	127	492.5	474.9	670	620	28	16	4	M24	483	378	517	500	170
600	10	154	584	562.3	780	725	31	16	4	M27	574	440	573	500	260
700	10	165	688.3	666.9	895	840	31	20	4	M27	670	517	656	500	345
800	10	190	781.5	756.7	1015	950	34	20	4	M30	768	572	684	500	466
900	10	203	883.5	858.9	1115	1050	34	24	4	M30	865	636	735	500	610
1000	10	216	980.5	955.5	1230	1160	37	24	4	M33	964	691	850	500	722