



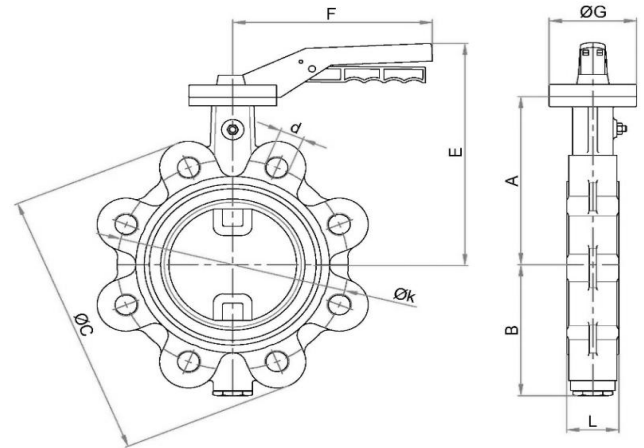
# MIRAB INDUSTRIAL VALVES

No.: BCL-50-300-10

## Lug type Butterfly valve Data Sheet

Rev.: 00 , Date: Jan 2023

<b>Valve Type</b>	Butterfly Valve Lug Type	<b>Hydrostatic Test</b>	Acc. to DIN EN 12266-1/ API Std. 598/ ISO 5208 Body Test: N/A, Seat test @ 1.1*PN
<b>Valve Features</b>	Concentric type Bi-Directional Sealing Tight Shut-Off Closure K & KV Parameters Acc. to Mirab catalogue Gasket for installation is not required due to Renewable U-Shape Elastomer liner on valve body	<b>Coating System</b>	Electrostatic Epoxy Powder, RAL 5005 Min DFT 150 micron (Food Grade)
<b>Application</b>	On-Off (Isolating)	<b>Actuator</b>	Lever With 0-90° Indicator Material : up to DN200: Aluminium Epoxy Coated DN250 & DN300: Ductile Iron Epoxy Coated Closed Clockwise Rotation
<b>Fluid</b>	Raw water, Drinking water, Non-Corrosive Liquid and Gas		
<b>End Connection type</b>	Lug type		
<b>Connection Standard</b>	DIN EN 1092 (DIN 2501) PN10/PN16		
<b>Valve Size Range</b>	DN 50 ~ DN 300 (NPS 2 ~ NPS 12)		
<b>Body Rating</b>	Up to 16 Bar		
<b>Temperature Rating</b>	DN50 to DN200: Up to 110 °C DN250 to DN300: Up to 70 °C		
<b>Design Std.</b>	DIN EN 593 & API Std. 609 Cat. A		
<b>Face to Face Std.</b>	DIN EN 558-1 Series 20 & API Std. 609 Cat. A		
<b>Body</b>	Ductile Iron DIN EN 1563 GJS-400-15 (GGG40)		
<b>Disc</b>	Up to DN200: Stainless Steel ASTM A351 Gr.CF8 (1.4308) DN250 to DN300: Ductile Iron DIN EN 1563 GJS-400-15 (GGG40)		
<b>Body seat (Liner)</b>	EPDM Rubber		
<b>Shaft</b>	Stainless Steel ASTM A276 Type 420 (1.4021)		
<b>Shaft Sealing</b>	O-Ring (NBR)		
<b>Bushing</b>	Steel-PTFE/ C95200		
<b>End Cap</b>	Aluminium		



**Dimension:**



DN	ØD	ØC	Z	E	F	ØG	PN 10			PN 16		
							Ø k	d	n	Ø k	d	n
20	105	-	-	170	196	65	75	M12	4	75	M12	4
25	115	-	-	170	196	65	85	M12	4	85	M12	4
32	140	-	-	170	196	65	100	M16	4	100	M16	4
40	150	-	-	179	196	65	110	M16	4	110	M16	4
50	165	50	19.6	192	196	65	125	M16	4	125	M16	4
65	185	65.7	43.2	202	196	65	145	M16	4	145	M16	4
80	200	79.5	61.8	228	230	90	160	M16	8	160	M16	8
100	225	99.6	82.3	236	230	90	180	M16	8	180	M16	8
125	250	124	108.5	250	230	90	210	M16	8	210	M16	8
150	285	151.4	139	287	267	90	240	M20	8	240	M20	8
200	340	199	188.4	311	267	90	295	M20	12	295	M20	12
250	400	251	240.1	386	445	125	350	M20	12	355	M24	12
300	455	299	286.9	413	445	125	400	M20	12	410	M24	12