



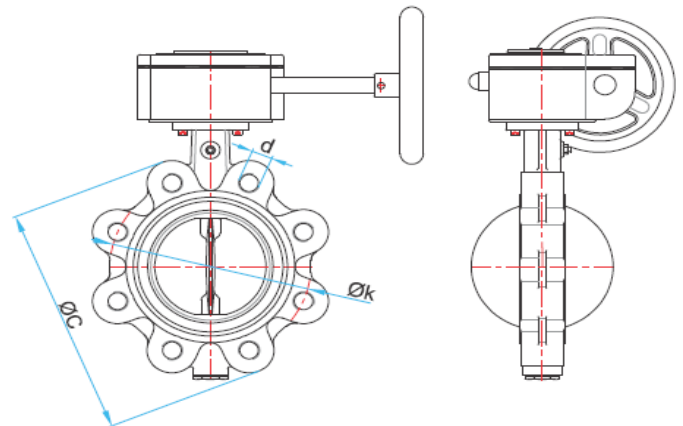
# MIRAB INDUSTRIAL VALVES

No.: BCL-G-50-600-10

## Gear operated Lug type Butterfly valve Data Sheet

Rev.: 00 , Date: Jan 2023

<b>Valve Type</b>	Butterfly Valve Lug Type	<b>Hydrostatic Test</b>	Acc. to DIN EN 12266-1/ API Std. 598/ ISO 5208 Body Test: N/A, Seat test @ 1.1 * PN
<b>Valve Features</b>	Concentric type Bi-Directional Sealing Tight Shut-Off Closure K & KV Parameters Acc. to Mirab catalogue Gasket for installation is not required due to Renewable U-Shape Elastomer liner on valve body	<b>Coating System</b>	Electrostatic Epoxy Powder, RAL 5005 Min DFT 150 micron (Food Grade)
<b>Application</b>	On-Off (Isolating)	<b>Actuator</b>	Gearbox, Worm type Part-Turn, Open-Close Duty With 0-90° Indicator Aluminium or Ductile Iron, Epoxy Coated With Open/ Close End Stop Adjustable Swing Range up to 90° Flange Acc. to EN ISO 5211 Closed Clockwise Rotation
<b>Fluid</b>	Raw water, Drinking water, Non-Corrosive Liquid and Gas		
<b>End Connection type</b>	Lug type		
<b>Connection Standard</b>	DIN EN 1092 (DIN 2501) PN10/ PN16		
<b>Valve Size Range</b>	DN 50 ~ DN 600 (NPS 2 ~ NPS 24)		
<b>Body Rating</b>	Up to 16 Bar		
<b>Temperature Rating</b>	DN50 to DN200: Up to 110 °C DN250 to DN600: Up to 70 °C		
<b>Design Std.</b>	DIN EN 593 & API Std. 609 Cat. A		
<b>Face to Face Std.</b>	DIN EN 558-1 Series 20 & API Std. 609 Cat. A		
<b>Body</b>	Ductile Iron DIN EN 1563 GJS-400-15 (GGG40)		
<b>Disc</b>	Up to DN200: Stainless Steel ASTM A351 Gr.CF8 (1.4308) DN250 to DN600: Ductile Iron DIN EN 1563 GJS-400-15 (GGG40)		
<b>Body seat (Liner)</b>	EPDM Rubber		
<b>Shaft</b>	Stainless Steel ASTM A276 Type 420 (1.4021)		
<b>Shaft Sealing</b>	O-Ring (NBR)		
<b>Bushing</b>	Steel-PTFE/ C95200		
<b>End Cap</b>	Aluminium		



**Dimension:**



DN mm	ø D mm	ø C mm	Z mm	PN 10			PN 16			Weight Kg
				ø k	d	n	ø k	d	n	
20	105	-	-	75	M12	4	75	M12	4	3.3
25	115	-	-	85	M12	4	85	M12	4	3.5
32	140	-	-	100	M16	4	100	M16	4	3.8
40	150	-	-	110	M16	4	110	M16	4	4
50	165	50	19.6	125	M16	4	125	M16	4	4.8
65	185	65.7	43.2	145	M16	4	145	M16	4	5.3
80	200	79.5	61.8	160	M16	8	160	M16	8	7.3
100	225	99.6	82.3	180	M16	8	180	M16	8	9.5
125	250	124	108.5	210	M16	8	210	M16	8	10.7
150	285	151.4	139	240	M20	8	240	M20	8	14.2
200	340	199	188.4	295	M20	12	295	M20	12	19.1
250	400	251	240.1	350	M20	12	355	M24	12	36.2
300	455	299	286.9	400	M20	12	410	M24	12	41.7
350	520	341	331.3	460	M20	16	470	M24	16	71
400	580	392	377.6	515	M24	16	525	M27	16	100
450	635	442.5	427.5	565	M24	20	585	M27	20	145
500	715	492.5	484.2	620	M24	20	650	M30	20	203
600	840	584	562.3	725	M27	20	770	M33	20	285