



MIRAB INDUSTRIAL VALVES

No.: BCL-G-50-600-150

Gear operated Lug type Butterfly valve Data Sheet

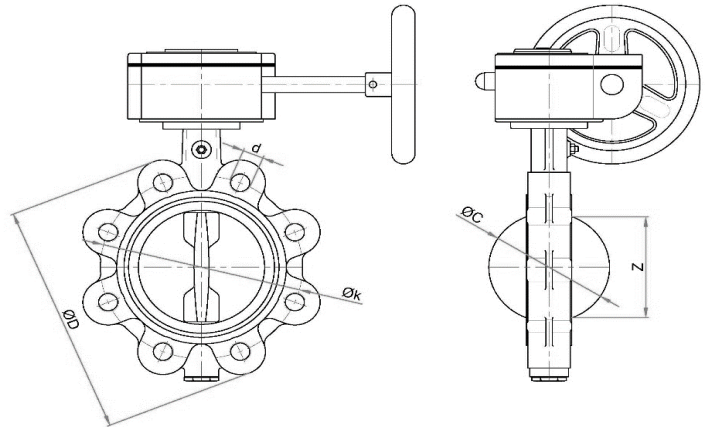
Rev.: 00 , Date: Jan 2023

Valve Type	Butterfly Valve Lug Type
Valve Features	Concentric type Bi-Directional Sealing Tight Shut-Off Closure K & KV Parameters Acc. to Mirab catalogue Gasket for installation is not required due to Renewable U-Shape Elastomer liner on valve body
Application	On-Off (Isolating)
Fluid	Raw water, Drinking water, Non-Corrosive Liquid and Gas
End Connection type	Lug type
Connection Standard	ASME/ ANSI B16.5 CLASS 150
Valve Size Range	DN 20 ~ DN 600 (NPS 3/4 ~ NPS 24)
Body Rating	Up to 16 Bar
Temperature Rating	DN20 to DN200: Up to 110 °C DN250 to DN600: Up to 70 °C
Design Std.	DIN EN 593 & API Std. 609 Cat. A
Face to Face Std.	DIN EN 558-1 Series 20 & API Std. 609 Cat. A
Body	Ductile Iron DIN EN 1563 GJS-400-15 (GGG40)
Disc	Up to DN200: Stainless Steel ASTM A351 Gr.CF8 (1.4308) DN250 to DN600: Ductile Iron DIN EN 1563 GJS-400-15 (GGG40)
Body seat (Liner)	EPDM Rubber
Shaft	Stainless Steel ASTM A276 Type 420 (1.4021)
Shaft Sealing	O-Ring (NBR)
Bushing	Steel-PTFE/ C95200
End Cap	Aluminium

Hydrostatic Test Acc. to DIN EN 12266-1/ API Std. 598/ ISO 5208
Body Test: N/A, Seat test @ 1.1 * PN

Coating System Electrostatic Epoxy Powder, RAL 5005
Min DFT 150 micron (Food Grade)

Actuator Gearbox, Worm type
Part-Turn, Open-Close Duty
With 0-90° Indicator
Aluminium or Ductile Iron, Epoxy Coated
With Open/ Close End Stop
Adjustable Swing Range up to 90°
Flange Acc. to EN ISO 5211
Closed Clockwise Rotation



Dimension:



DN	ø D	ø C	Z	Class 150		
				ø k	d	n
mm	mm	mm	mm	mm	in	
20	105	-	-	69.9	UNC 1/2"	4
25	115	-	-	79.4	UNC 1/2"	4
32	140	-	-	88.9	UNC 1/2"	4
40	150	-	-	98.4	UNC 1/2"	4
50	165	50	19.6	120.7	UNC 5/8"	4
65	185	65.7	43.2	139.7	UNC 5/8"	4
80	200	79.5	61.8	152.4	UNC 5/8"	4
100	225	99.6	82.3	190.5	UNC 5/8"	8
125	250	124	108.5	215.9	UNC 3/4"	8
150	285	151.4	139	241.3	UNC 3/4"	8
200	340	199	188.4	298.5	UNC 3/4"	8
250	400	251	240.1	362	UNC 7/8"	12
300	455	299	286.9	431.8	UNC 7/8"	12
350	520	341	331.3	476.3	UNC 1"	12
400	580	392	377.6	539.8	UNC 1"	16
450	635	442.5	427.5	577.9	8UN 1 1/8"	16
500	715	492.5	484.2	635	8UN 1 1/8"	20
600	840	584	562.3	749.3	8UN 1 1/4"	20