



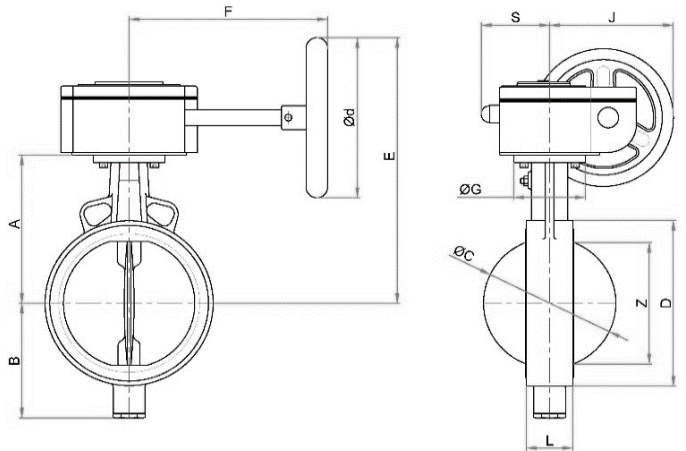
MIRAB INDUSTRIAL VALVES

No.: BCW-G-20-400-10

Gear operated Wafer type Butterfly valve Data Sheet

Rev.: 00 , Date: Jan 2023

Valve Type	Butterfly Valve Wafer Type	Hydrostatic Test	Acc. to DIN EN 12266-1/ API Std. 598/ ISO 5208 Body Test: N/A, Seat test @ 1.1*PN
Valve features	Concentric type Bi-Directional Sealing Tight Shut-Off Closure K & KV Parameters Acc. to mirab catalogue Gasket for installation is not required due to Renewable U-Shape Elastomer liner on valve body	Coating System	Electrostatic Epoxy Powder, RAL 5005 Min DFT 150 micron
Application	On-Off (Isolating)	Actuator	Gearbox, Worm type Part-Turn, Open-Close Duty With 0-90° Indicator Aluminium , Epoxy Coated With Open/ Close End Stop Adjustable Swing Range up to 90° Flange Acc. to EN ISO 5211 Closed Clockwise rotation
Fluid	Raw water, Drinking water, Non-Corrosive Liquid and Gas		
End Connection type	Wafer type (To be installed Between Flanges)		
Connection Standard	DIN EN 1092 (DIN 2501) PN6/PN10/ PN16/ ASME/ ANSI B16.5 Class 150		
Valve Size Range	DN 20 ~ DN 400 (NPS 3/4 ~ NPS 16)		
Body Rating	Up to 16 Bar		
Temperature Rating	DN20 to DN200: Up to 110 °C DN250 to DN400: Up to 70 °C		
Design Std.	DIN EN 593 & API Std. 609 Cat. A		
Face to Face Std.	DIN EN 558-1 Series 20 & API Std. 609 Cat. A		
Body	Ductile Iron DIN EN 1563 GJS-400-15 (GGG40)		
Disc	Up to DN200: Stainless Steel ASTM A351 Gr.CF8 (1.4308) DN250 to DN400: Ductile Iron DIN EN 1563 GJS-400-15 (GGG40)		
Body seat (Liner)	EPDM Rubber		
Shaft	Stainless Steel ASTM A276 Type 420 (1.4021)		
Shaft Sealing	O-Ring (NBR)		
Bushing	Steel-PTFE/ C95200		
End Cap	Up to DN300: Aluminium, DN350,DN400: Ductile Iron		



Dimension:

DN mm	L mm	ØC mm	Z mm	A mm	B mm	D mm	E mm	F mm	ØG mm	J mm	d mm	S mm	Weight Kg
20	33	30	-	104	60	57	180	110	65	93	100	45	2.3
25	33	30	-	104	60	66	180	110	65	93	100	45	2.4
32	33	30	-	104	60	76	180	110	65	93	100	45	2.6
40	33	40	17.4	113	70	84	189	110	65	93	100	45	2.9
50	43	50	19.6	126	82	95	202	110	65	93	100	45	3.4
65	46	65.7	43.2	136	92	116	212	110	65	93	100	45	4
80	46	79.5	61.8	159	104	130	235	110	90	103	120	45	5.1
100	52	99.6	82.3	167	113	151	243	110	90	103	120	55	5.9
125	56	124	108.5	181	127	181	257	110	90	103	120	55	7.5
150	56	151.4	139	203	152	205	341	119	90	150	200	80	10.5
200	60	199	188.4	228	176	250	366	119	90	150	200	80	13.2
250	68	251	240.1	266	214	318	435	223	125	190	260	86	29
300	78	299	286.9	293	239	358	463	223	125	190	260	86	33
350	78	341	331.3	332	273	409	492	323	150	230	300	86	52.2
400	102	392	377.6	364	318	472	620	334	175	281	400	119	84

