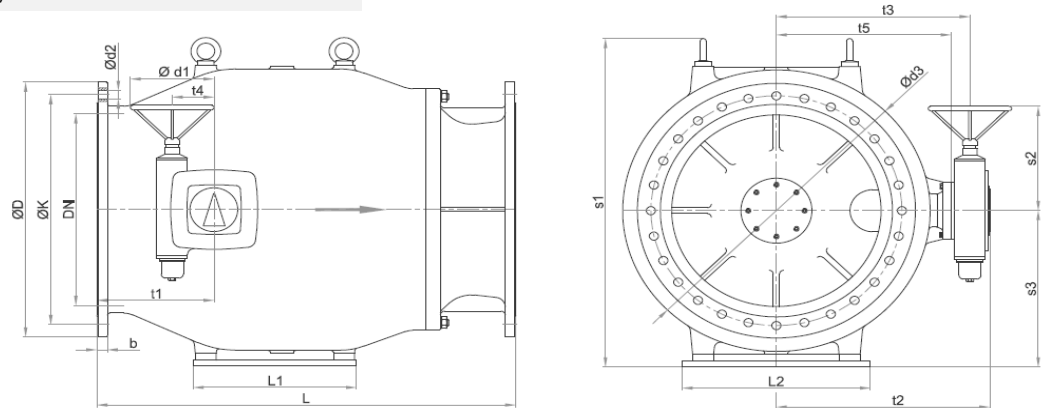




<b>Valve Type</b>	Needle valve	<b>Hydrostatic Test</b>	Acc. to DIN EN 12266-1/ API Std. 598/ ISO 5208 Body Test: @ 1.5*PN, Seat Test @ 1.1*PN
<b>Valve Features</b>	Soft Sealing (Resilient seated) Uni-Directional Sealing Tight Shut-Off Closure K and Kv Parameter Acc. to Mirab catalogue Linear Relationship between Flow rate and valve Opening percentage Different shape for Outlet Cylinder (Plain, Vaned, Perforated, Slotted) Renewable seat and guides	<b>Coating System</b>	Electrostatic Epoxy Powder, RAL 5005 Min DFT 250 micron (Food Grade)
<b>Application</b>	Pressure and Flow rate regulation	<b>Actuator</b>	Gearbox, Worm type Part-Turn, Open-Close Duty With Open-Close Indicator Material Ductile Iron, Epoxy Coated With Open/ Close End Stop Adjustable Swing Range 0-100% Opening Flange Acc. to EN ISO 5211 Closed Clockwise Rotation
<b>Fluid</b>	Raw water, Drinking water		
<b>End Connection type</b>	Flanged, RF		
<b>Connection Standard</b>	DIN EN 1092-2 (DIN 2501) PN16		
<b>Valve Size Range</b>	DN 200 ~ DN 1800 (NPS 8 ~ NPS 72)		
<b>Body Rating</b>	PN16		
<b>Temperature Rating</b>	Up to 70 °C		
<b>Design Std.</b>	Mirab Std.		
<b>Face to Face Std.</b>	Mirab Std.		
<b>Body &amp; Bonnet</b>	Ductile Iron DIN EN 1563 GJS-400-15 (GGG40)		
<b>Piston</b>	Stainless Steel ASTM A351 CF8 (1.4308)		
<b>Body seat</b>	Seat Ring: Stainless Steel ASTM A351 CF8 (1.4301) Vaned Ring: Aluminum Bronze ASTM B148 C95200		
<b>Piston Seat</b>	EPDM Rubber		
<b>Shaft</b>	Stainless Steel ASTM A276 Type 420 (1.4021)		
<b>Crank shaft</b>	Stainless Steel ASTM A276 Type 304 (1.4301)		
<b>Shaft Sealing</b>	O-Ring (NBR)		



Dimension:



	DN mm	L mm	ØD mm	ØK mm	Ød2 mm	n	b mm	Ød1 mm	Ød3 mm	t1 mm	t2 mm	t3 mm	t4 mm	t5 mm	s1 mm	s2 mm	s3 mm	L1 mm	L2 mm	Weight kg
PN 16	200	400	340	295	23	12	20	250	340	110	313	255	63	210	423	255	205	-	-	106
	250	500	400	355	28	12	22	250	376	150	333	275	63	230	483	255	235	-	-	152
	300	600	450	410	28	12	24,5	250	448	160	398	337	80	280	542	263	260	-	-	250
	350	700	520	470	28	16	26,5	250	522	200	472	405	100	330	622	303	300	-	-	412
	400	800	580	525	31	16	28	400	588	215	507	440	100	365	710	393	363	340	420	537
	450	900	640	585	31	20	30	400	640	248	527	460	100	385	751	393	365	340	500	702
	500	1000	715	650	34	20	31,5	400	732	280	582	515	100	440	863	393	442	400	530	1000
	600	1200	840	770	37	20	36	400	876	318	645	575	125	500	1043	398	530	460	600	1594
	700	1400	910	840	37	24	39,5	400	1020	355	724	650	160	575	1212	478	610	540	800	2170
	800	1600	1025	950	41	24	43	400	1165	420	809	735	160	660	1370	478	690	590	900	3031
	900	1800	1125	1050	41	28	46,5	400	1360	485	935	840	200	750	1600	544	770	770	900	3905
	1000	2000	1255	1170	44	28	50	500	1470	560	1054	958	200	835	1716	593	817	780	900	5690
	1200	2400	1485	1390	50	32	57	400	1810	660	1175	1080	200	990	2148	544	1040	1000	1400	9193
	1400	2800	1685	1590	50	36	60	500	2185	866	1505	1344	315	1200	2428	684	1180	1200	1500	15000
1600	2800	1930	1820	57	40	65	500	2185	866	1505	1344	315	1200	2428	684	1180	1200	1500	15400	
1800	2900	2130	2020	57	44	70	500	2600	790	1805	1645	315	1500	3020	684	1480	1730	1580	20100	