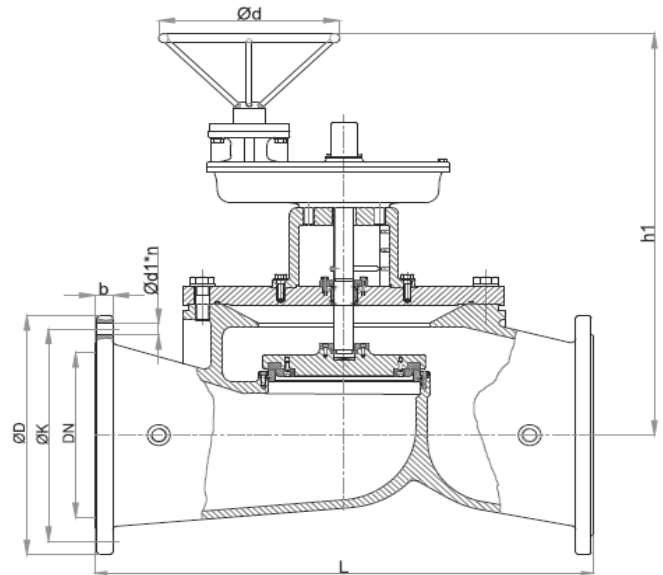




Valve Type	Globe Valve	Hydrostatic Test	Acc. to DIN EN 12266-1/ API Std. 598/ ISO 5208 Body Test: @ 1.5*PN, Seat Test @ 1.1*PN
Valve Features	Soft Sealing (Resilient seated) Uni-Directional Sealing Tight Shut-Off Closure K and Kv Parameter Acc. to Mirab catalogue Inside Screw Non-Rising Stem & Handwheel Reduced Port Body Swivel Plug	Coating System	Electrostatic Epoxy Powder, RAL 5005 Min DFT 250 micron (Food Grade)
End Connection type	Flanged, RF	Actuator	Handwheel + Reduction Gearing Material Carbon Steel Epoxy Coated Closed Clockwise Rotation
Connection Standard	DIN EN 1092-2 (DIN 2501) PN10		
Valve Size Range	DN 300 ~ DN 1000 (NPS 12 ~ NPS 40)		
Body Rating	PN10		
Temperature Rating	Up to 70 °C		
Design Std.	Mirab Std.		
Face to Face Std.	DIN EN 558-1 Series 1 (DIN 3202-F1)		
Body & Bonnet	Ductile Iron DIN EN 1563 GJS-400-15 (GGG40)		
Disc	Ductile Iron DIN EN 1563 GJS-400-15 (GGG40)		
Body seat	Stainless Steel ASTM A351 CF8 (1.4308)		
Disc Seat	EPDM Rubber		
Stem Material	Stainless Steel ASTM A276 Type 420 (1.4021)		
Shaft Sealing	Packing (PTFE)		



Dimension:



	DN mm	L mm	ØD mm	ØK mm	Ød1 mm	n	b mm	h1 mm	h2 mm	Ød mm	Turns	Weight (Kg)
PN 10	300	850	445	400	23	12	24.5	888	940	400	105	411
	350	980	505	460	23	16	24.5	979	1095	400	108	624
	400	1100	565	515	28	16	24.5	979	1095	400	108	700
	450	1200	615	565	28	20	25.5	1063	1179	400	103	808
	500	1250	670	620	28	20	26.5	1098	1157	400	117	1030
	600	1450	780	725	31	20	30	1098	1157	400	117	1144
	700	1650	895	840	31	24	32.5	1412	1491	400	290	2287
	800	1850	1015	950	34	24	35	1412	1491	400	290	2415
	900	2050	1115	1050	34	28	37.5	1786	1850	500	324	4425
	1000	2250	1230	1160	36	28	40	1838	1866	500	421	4915