



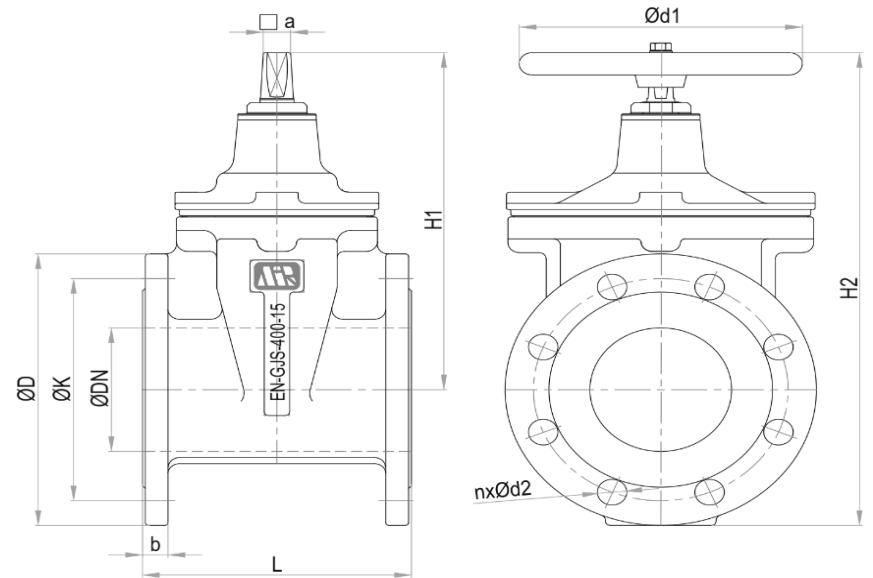
# MIRAB INDUSTRIAL VALVES

No.: GSF-50-500-10

## High Temperature Soft Sealing Gate Valve Data Sheet

Rev.: 01 , Date: Mar 2025

<b>Valve Type</b>	Gate Valve	<b>Hydrostatic Test</b>	Acc. to DIN EN 12266-1/ API Std. 598/ ISO 5208 Body Test: @ 1.5*PN, Seat Test @ 1.1*PN
<b>Valve Features</b>	Soft Sealing (Resilient seated) Bi-Directional Sealing Tight Shut-Off Closure K Parameter Acc. to mirab catalogue Inside Screw Non-Rising Stem and Handwheel	<b>Coating System</b>	Electrostatic Epoxy Powder, RAL 7001 Min DFT 150 µm (For Size up to DN300) Min DFT 250 µm (For Size DN350 to DN500) Food Grade
<b>End Connection type</b>	Flanged, RF	<b>Actuator</b>	Handwheel Material St37-2 or Ductile Iron , Epoxy Coated With 0-90° Indicator Closed Clockwise Rotation
<b>Connection Standard</b>	DIN EN 1092-2 (DIN 2501) PN10/ PN16		
<b>Valve Size Range</b>	DN 50 ~ DN 500 (NPS 2 ~ NPS 20)		
<b>Body Rating</b>	Up to 16 Bar		
<b>Temperature Rating</b>	Up to 110 °C		
<b>Design Std.</b>	DIN EN 3352- Part 4		
<b>Face to Face Std.</b>	DIN EN 558-1 Series 14 (DIN 3202-F4)		
<b>Body &amp; Bonnet</b>	Ductile Iron DIN EN 1563 GJS-400-15 (GGG40)		
<b>Wedge</b>	Ductile Iron GJS-400-15 Fully Covered with High Temperature EPDM		
<b>Body seat</b>	Ductile Iron DIN EN 1563 GJS-400-15 (GGG40)		
<b>Wedge Seat</b>	EPDM Rubber (High Temperature)		
<b>Stem</b>	Stainless Steel ASTM A276 Type 420 (1.4201)		
<b>Shaft Sealing</b>	O-Ring (EPDM/Viton)		



**Dimension:**

- DIN EN 1092-2 (DIN 2501)
- DIN EN 558-1 series 14 (DIN 3202-F4)



DN mm	PN bar	L mm	ØD mm	ØK mm	n	Ød2 mm	b mm	H1 mm	H2 mm	a mm	Ød1 mm	Weight Kg
50	10	150	165	125	4	19	19	176	263	11	180	9
	16											
65	10	170	185	145	4	19	19	200	297	11	200	12
	16											
80	10	180	200	160	8	19	19	237	340	14	200	15
	16											
100	10	190	220	180	8	19	19	270	383	14	240	19
	16											
125	10	200	250	210	8	19	19	306	434	14	240	26
	16											
150	10	210	285	240	8	23	19	365	511	17	360	36
	16											
200	10	230	340	295	8	23	20	450	625	19	360	57
	16											
250	10	250	400	350	12	23	22	651	859	27	500	108
	16			355								
300	10	270	455	400	12	23	24.5	723	956	27	500	156
	16			410								
350	10	290	505	460	16	23	24.5	815	1073	27	500	223
	16											
400	10	310	565	515	16	28	24.5	893	1180	27	500	275
	16											
500	10	350	670	620	20	28	26.5	1030	1370	37	600	530
	16											