



®

MIRAB CO.

Manufacturer of Industrial Valves
and Relevant Equipment



Fixed Cone Free Discharge Valves
CFD

Fixed Cone Free Discharge Valves

Sizes: DN 400 - DN 2000 mm

Pressure: PN 6 - 25 bar

Flange: DIN EN 1092-1 (DIN 2501)

Installation type: as discharge, end of pipe line

Actuators: electro mechanical, hydraulic

End connection type: Flanged type according to DIN EN standard,(other standards as request).

Product Features:

Mirab Fixed Cone Free Discharge valves are used at the end of pipelines, dam outlets, and water power plants to discharge water. These valves are capable of keeping the flow in a constant and steady condition. In addition, they can increase the volume of flow in an emergency e.g. flood water, etc. (The reason for increasing flow, is to prevent any damage to the walls of the dam) So the valve's structure is robust enough to eliminate any cavitation and vibration and can prevent damages to the other structures. In the high speed of flow, water takes some big solid parts into the valve (such as stones, wooden parts, etc.) The structure of the valve is in a way that these parts can't harm the body of the valve and they can pass through the valve and will not make any difficulty for free operation.

Advantages:

- Low head loss.
- Simple and reliable design.
- Suitable material for desired applications.
- Suited profile for flow of medium and solid particles.
- Possibility of installation in valve room or end of pipeline.
- Wide range for different sizes and pressures.
- The option of selecting either Electrical or Hydraulic actuators (as requested)

Coating:

Color coating and working temperature are according to the table below.

Temperature of coating	
Coating	Temperature(°c)
RAL 5005 (Epoxy Powder)	Up to 70
RAL 7001 (Epoxy Powder)	Up to 110
RAL 9001 (ZINGA)	Up to 150
RAL 9001 (SILICONE ACRYLIC)	Up to 250

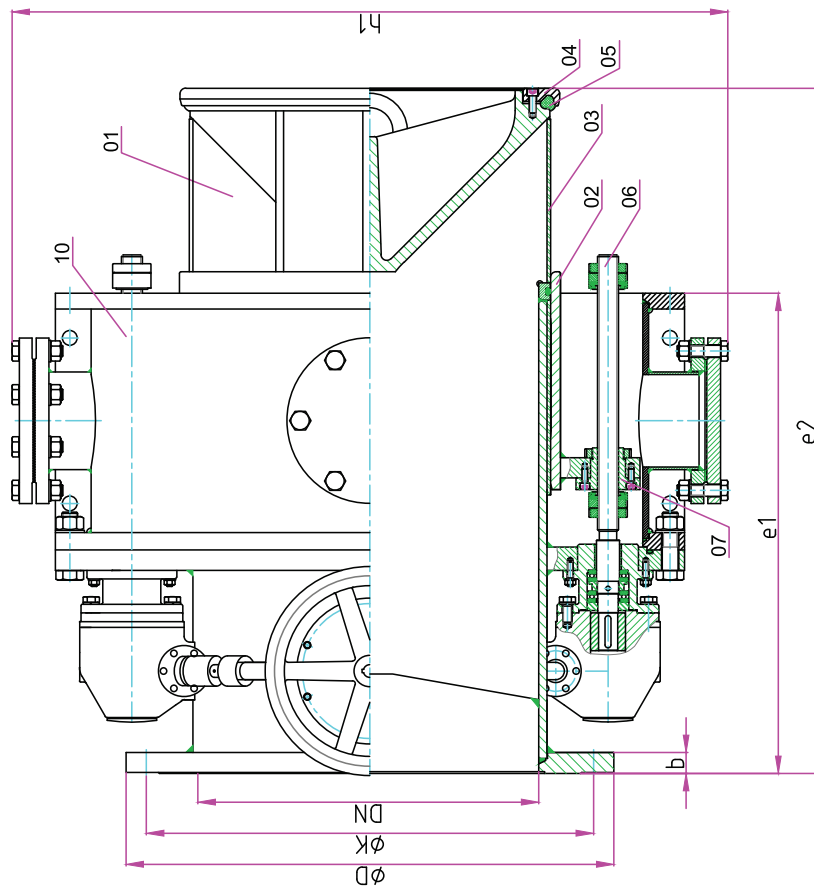
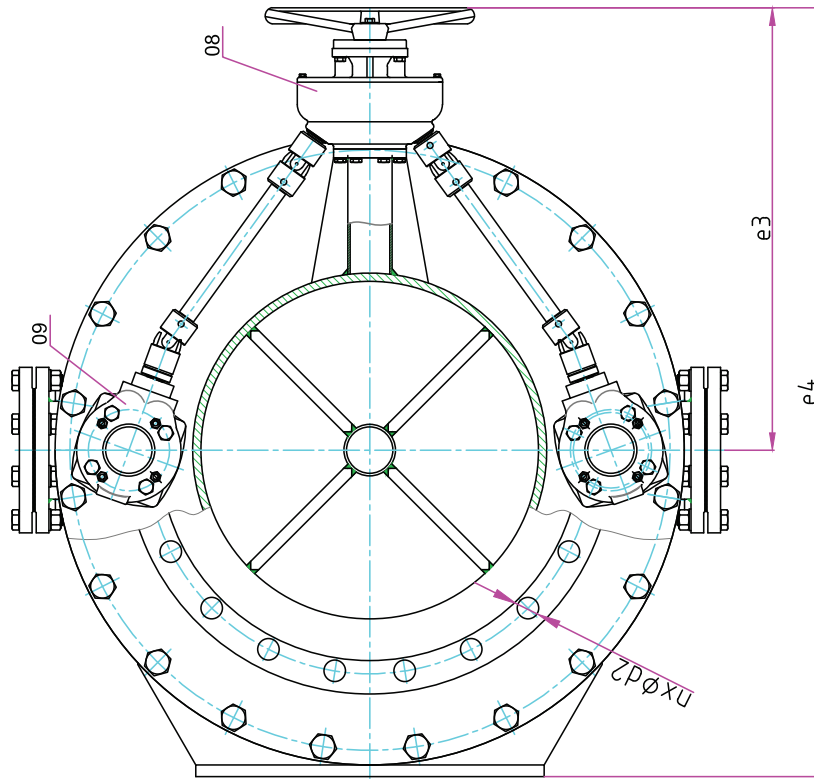
Hydrostatic test Pressure:

The test is according to the table below.

Hydrostatic test Pressure (bar) according to DIN EN 12266-1		
Nominal Pressure PN (bar)	Test Pressure, with water, (bar)	
	Closure Test	Shell Test
6	7	12
10	11	17
16	18	25
25	28	38



Part List



Part List

Part No.	Part Name	Part Material	Spare parts
01	Main Body	St 37-2	
02	Obstructive cylinder	DIN EN 10088-3/ 1.4301	
03	Cylinder Guide	2.0401.30 (CuZn39Pb3)F50	
04	Clamping Ring	DIN EN 10088-3/ 1.4301	
05	Sealing Rubber	EPDM / NBR	●
06	Transmission Rod	DIN EN 10088-3/ 1.4021	
07	Transmission Rod nut	ASTM B148 UNS C95200	
08	Multi-turn gearbox	-	
09	Bevel gearbox	-	
10	Guard body	St 37-2	

Dimensions and weight

DN (mm)	ØD (mm)	B (mm)	ØK (mm)	Ød2 (mm)	n	h1 (mm)	e1 (mm)	e2 (mm)	e3 (mm)	e4 (mm)	Weight (Kg)
400	565	26	515	26	16	980	687	900	591	1016	655
500	670	28	620	26	20	1143	747	1000	703	1223	1100
600	780	28	725	30	20	1233	830	1180	761	1325	1512
700	895	30	840	30	24	1440	935	1340	890	1545	2500
800	1015	32	950	33	24	1500	1020	1500	860	1580	3300
900	1115	34	1050	33	28	1629	1130	1650	910	1690	3881
1000	1230	34	1160	36	28	1993	1295	1825	1010	2020	6600
1200	1455	38	1380	39	32	2052	1390	2025	1110	2140	7450
1400	1675	42	1590	42	36	2355	1575	2307	1262	2463	11673
1500	1785	46	1700	44	36	2603	1625	2392	1333	2663	13900
1600	1915	46	1820	48	40	3290	2135	3060	2025	3530	-
1800	2115	50	2020	48	44	3700	2400	3450	2280	3975	-
2000	2325	54	2230	48	48	4110	2670	3830	2530	4415	-

The above dimensions are related to PN10, other sizes and pressures can be manufactured as requested.



IRAN

Head Office:

No. 6, West 1st Golbarg alley., Fakhar Moghaddam St., Dadman Blvd., Shahrak-e Gharb, Tehran, Iran

Tel: +98 (0)21 52609

Factory:

Shams Abad Industrial Complex, at the end of Sarvestan Blvd, Mirab Company

Tel: +98 (0)21 44005680

